



Fig. 0305 Series Installation and Spare Parts Manual

Deck or Lever Control
Solar-Ray® Sealed Beam 8" Searchlights



PERKO, INC. • 16490 N.W. 13th Avenue • Miami, FL 33169-5707 • www.perko.com

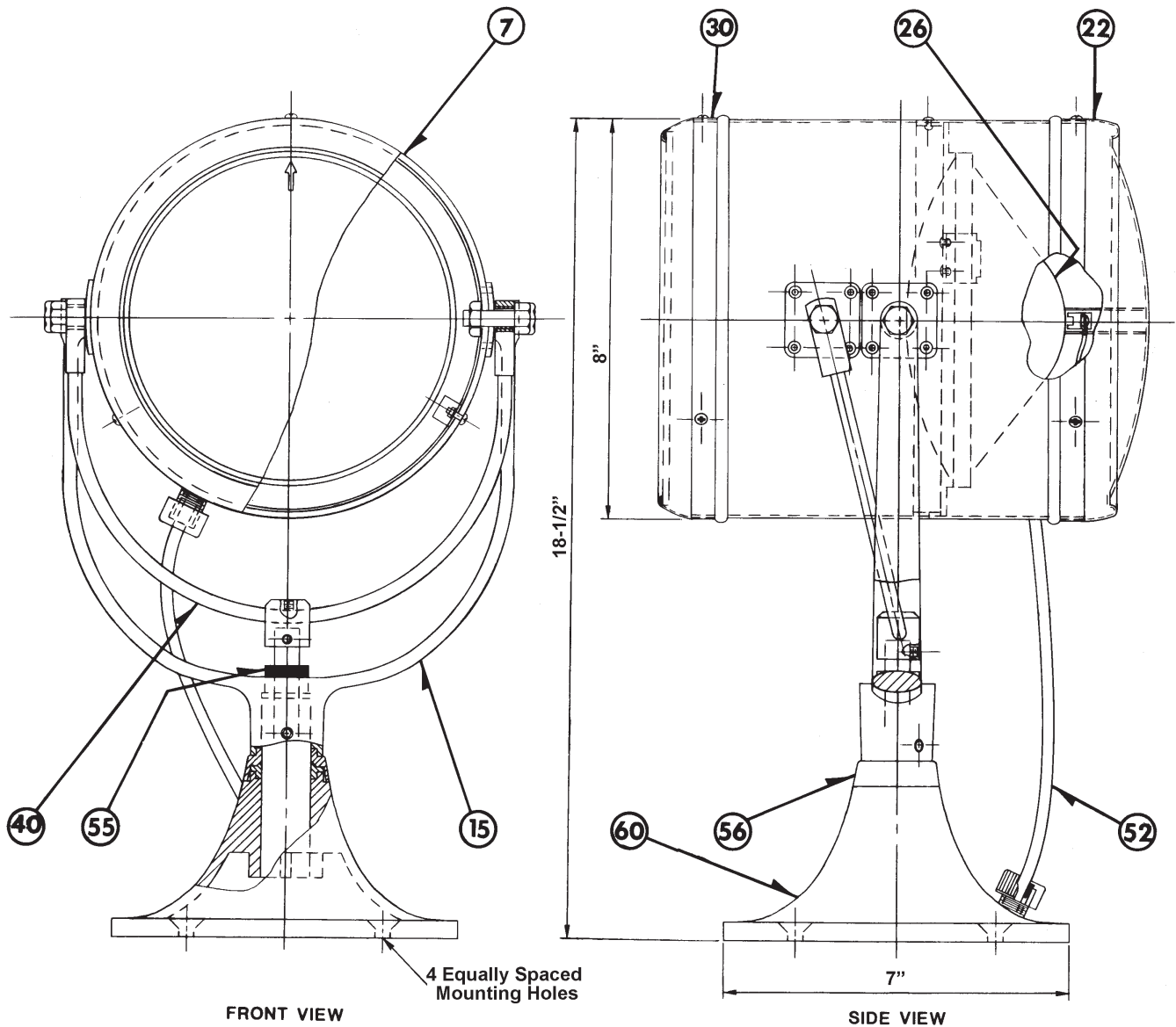


Fig. 0305 Deck or Lever Control Sealed Beam Solar-Ray® Series Installation Manual

Table of Contents

	Page
• Fig. 0305 8" Searchlight Spare Parts Diagram.....	3
• Fig 0305 with 0851 Lever Control Assembly Installation Instructions	4
• Fig. 0851 Lever Control Assembly Spare Parts Diagram.....	5
• 7" Base Mounting Template	6
• Solar-Ray® Searchlight Limited Warranty.....	7





Notes

NOTE 1

Seal Beam Data

Voltage	Wattage	Approximate Candlepower	Sealed Beam Range Miles	Sealed Beam Catalog No.
12	100	250,000	5/8	043300312V
24	450	470,000	3/4	043300324V
32	200	260,000	5/8	043300332V

NOTE 2 THIS SEARCHLIGHT AND ASSEMBLY IS COMPATIBLE WITH FIG. 0851 LEVER CONTROL ASSEMBLY. SEE FIG. 0851 PRINT FOR CONTROL DIMENSIONS AND COMPLETE SEARCHLIGHT AND CONTROL FIG. NUMBER DESIGNATIONS.

Bill of Material

Item	Spare Part	Description	Qty.
30	0354000*	Lens with Bezel	1
22	0355000*	Rear Cover With Screws	1
7		Drum Assembly	1
15		Fork Assembly Complete	1
60	0850000*	Base Assembly Complete	1
40		Vertical Yoke Assembly	1
26	0433003**	Sealed Beam Unit (See Note 1)	1
55	0884SPR055	Shaft Seal	1
52		Cable Assembly Complete	1
56	0884SPR056	Base Seal	1

* Specify Finish (CHR/WHT)

** Specify Voltage (12V, 24V, 32V)

Figs. 0305 Searchlight to be installed with Fig. 0851 Lever Control Assembly

ASSEMBLY AND INSTALLATION INSTRUCTIONS

NOTE: STOP COLLAR ASSEMBLY ON CONTROL TUBE IS FACTORY PRE-SET AT 3-9/16 INCHES. DO NOT LOOSEN.

1. Place Head Assembly on flat area with lens down. Remove lever control assembly from box. With "O" ring seal in place, insert the Control Assembly through the base into the main fork with control handle pointing straight up.
2. Important - to prevent leakage, apply pressure on "O" ring seal (by pushing control assembly into the base) while tightening 3 set screws in fork hub.
3. Insert vertical control rod into the inner fork socket and tighten 2 set screws.
4. Insert electric wire through searchlight base and tighten gland nut.
5. Remove control handle, fulcrum collar assembly and ceiling plate.
6. Select 7" base mounting template. Drill holes in deck, per template.
7. Place searchlight assembly through the cabin roof in proper position and thru-bolt with 5/16 inch machine screws (not supplied).
8. Install ceiling plate, control handle and fulcrum collar assembly.
9. Wiring must be according to applicable standards and performed by a qualified marine electrician.

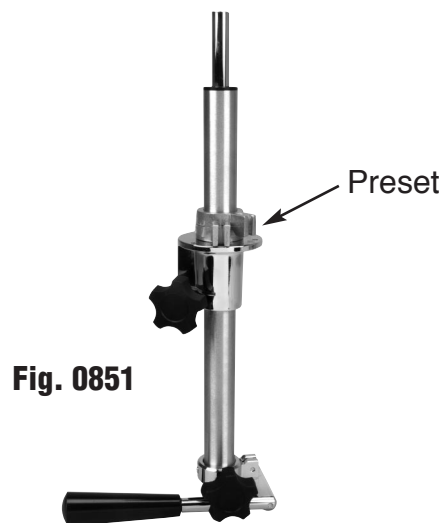
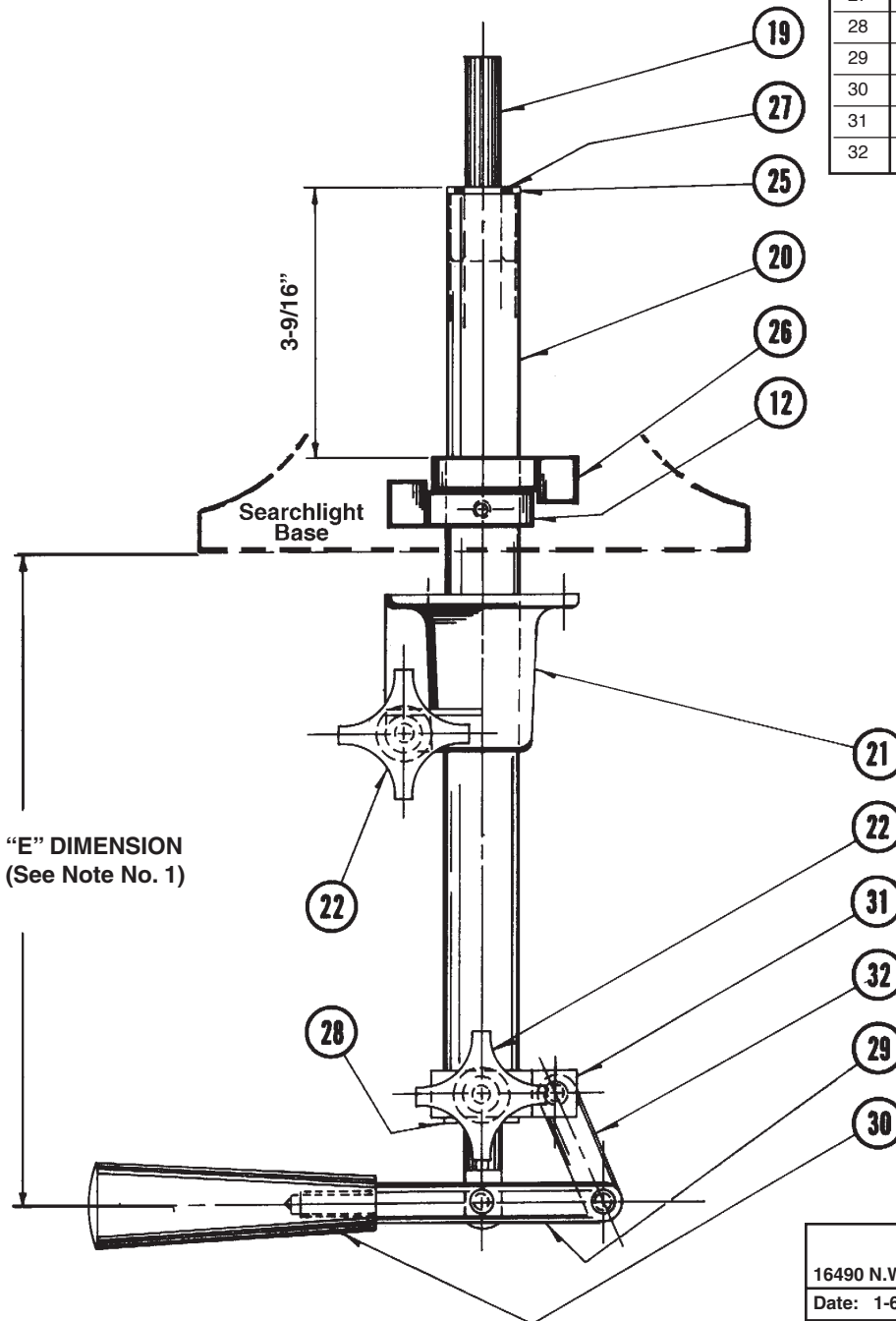


Fig. 0851

0851 Lever Control Assembly Spare Parts Diagram

Bill of Material

Item	Cat.No.	Description	Qty.
12	0851SPR012	Fixed Stop Collar	1
19		Vert. Control Rod (see Note 2)	1
20		Horiz. Control Tube (See Note 2)	1
21	0851SPR021	Horizontal Lock/Ceiling Plate	1
22	0851SPR022	Lock Knob with Spacer	2
25	0851SPR025	Upper Control Tube Bushing	1
26	0851SPR026	Floating Stop Collar	1
27	0851SPR027	O-Ring Seal	1
28	0851SPR028	Lower Control Tube Bushing	1
29	0851SPR029	Control Handle Shaft	1
30	0314SPR040	Control Handle, Plastic	1
31	0851SPR031	Fulcrum Collar	1
32	0851SPR032	Fulcrum Bar	1



Note 1

0884 or 0305 Control Assembly

Control Assy. Cat. No.	"E" Dimension
0851000CHR*	8-1/2"
08510A0CHR	15-1/2"
08510B0CHR	22-1/2"
08510C0CHR	29-1/2"
0851M00CHR**	8-1/2"
0851H00CHR***	8-1/2"

* Maximum Ceiling Thickness 4-1/2 Inches.

** For Medium - Pedestal Lights.

*** For High - Pedestal Lights.

Note 2

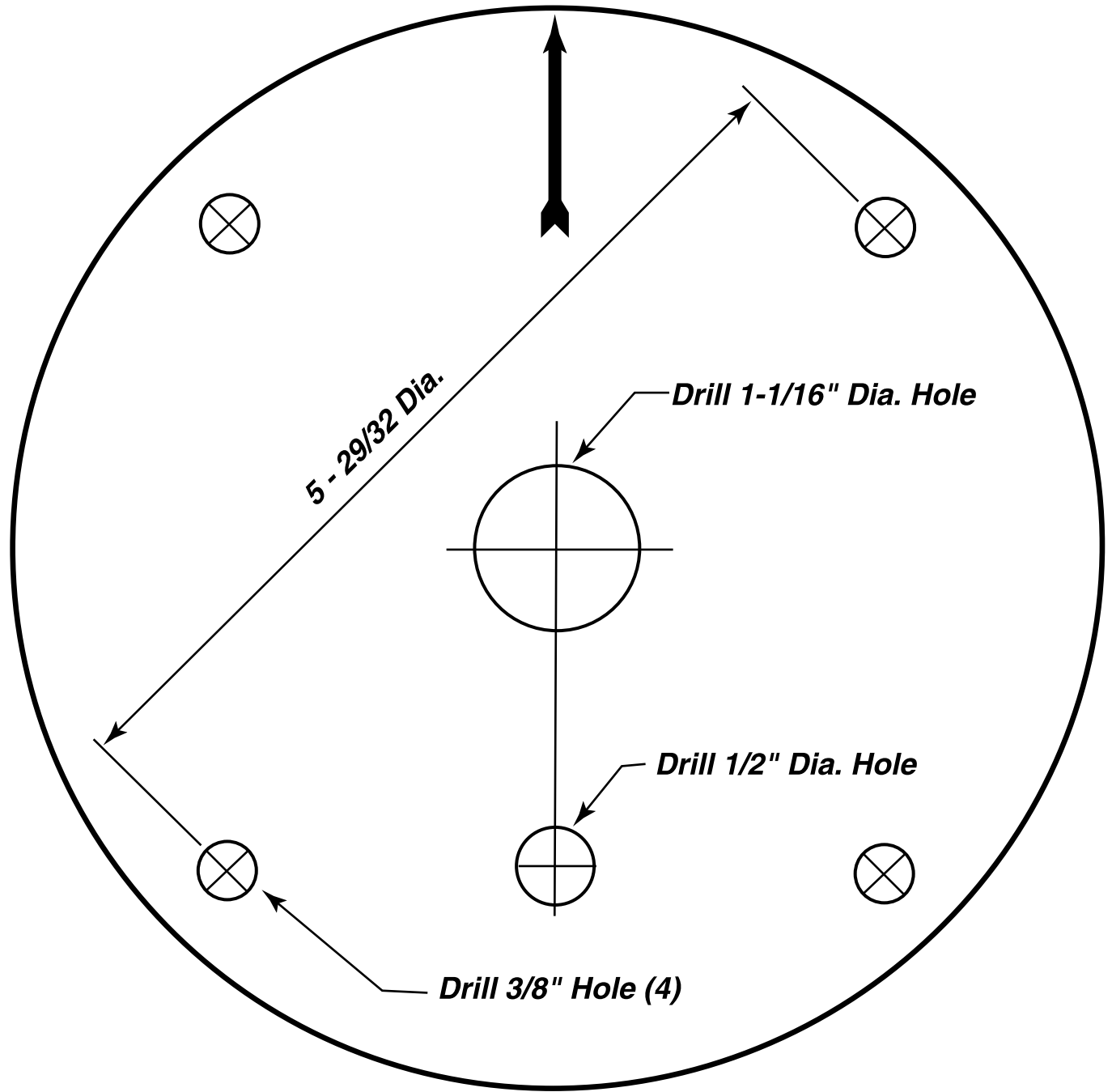
Lengths of vertical control rods and horizontal control tubes must be specified by the "E" Dimension as shown in note 1, in addition to the control assembly Cat. No. in column 2 of the above chart. Other dimensions available on special order.

"E" DIMENSION
(See Note No. 1)

5/11
0851INS1

PERKO®	
16490 N.W. 13th Avenue	Miami, FL 33169-5707
Date: 1-6-83	Drawn By: D. Beutler
Scale: None	Revised: 5/6/16
Cat. No. 0851 Series Searchlight Lever Control (Fits 0305 & 0884 Series Searchlights)	

FORWARD



AFT

Caution: Check for correct searchlight base diameter before drilling mounting holes.

PERKO®		
16490 N.W. 13th Avenue		Miami, FL 33169-5707
Date: 4/11/95		Drawn By: H. Ahmed
Scale: Full		Checked By:
7" BASE TEMPLATE		
Base for Fig. Nos. 0883, 0884, 0885, 0305, 0313 (Standard Pedestal Only)		

PERKO®

SOLAR-RAY® SEARCHLIGHT

ONE YEAR LIMITED WARRANTY

PERKO, INC. (PERKO) warrants to the original commercial-purchaser that PERKO'S commercial products will be free from defective materials or workmanship, and that the PERKOPLATE/PERKO-KOTE Finish will remain corrosion-free under normal use and service, for a period of one (1) year from the original purchase date.

ALL IMPLIED WARRANTIES, INCLUDING MERCHANTABILITY, ARE ALSO LIMITED IN DURATION TO THE ONE YEAR PERIOD FROM THE ORIGINAL PURCHASE DATE.

PERKO SHALL NOT BE LIABLE FOR LOSS OF USE OF ANY OF ITS COMMERCIAL PRODUCTS, NOR FOR OTHER INCIDENTAL OR CONSEQUENTIAL COSTS, EXPENSES, OR DAMAGES INCURRED BY THE ORIGINAL COMMERCIAL-PURCHASER OR BY ANY OTHER PERSON.

SOME STATES DO NOT ALLOW LIMITATIONS ON HOW LONG AN IMPLIED WARRANTY LASTS, SO THE ABOVE LIMITATION MAY OR MAY NOT APPLY TO YOU. SOME STATES DO NOT ALLOW THE EXCLUSION OR LIMITATION OF INCIDENTAL OR CONSEQUENTIAL DAMAGES, SO THE ABOVE LIMITATION OR EXCLUSION MAY OR MAY NOT APPLY TO YOU.

This warranty is void if the commercial product warranted has been damaged by accident or unreasonable use, neglect, improper service or other cause not arising out of defects in material or workmanship. Excluded from this warranty are Electric Light Bulbs (lamps), Sealed Beam Units and Fuses.

During the warranty period, your PERKO product will either be repaired or it will be replaced with a like product (at PERKO's option) without charge to the original commercial-purchaser, when returned prepaid and insured, with proof-of-purchase date to PERKO at the address shown below. In the event of replacement, the replacement product will continue the warranty of the original product, or ninety (90) days, whichever is longer.

PERKO does not authorize any person or company to create for it any other obligation or liability in connection with any of its products.

Serial Number _____

Date of Purchase _____

(Retain with Proof-of-Purchase Documentation)

PERKO, Inc. • 16490 N.W. 13th Avenue • Miami, FL 33169-5707

9901 019 FRM